

Porter Industrial Supply
(800) 772-6675

Model: D6

Product Type: Extruded Wall Guard

Width: 6"

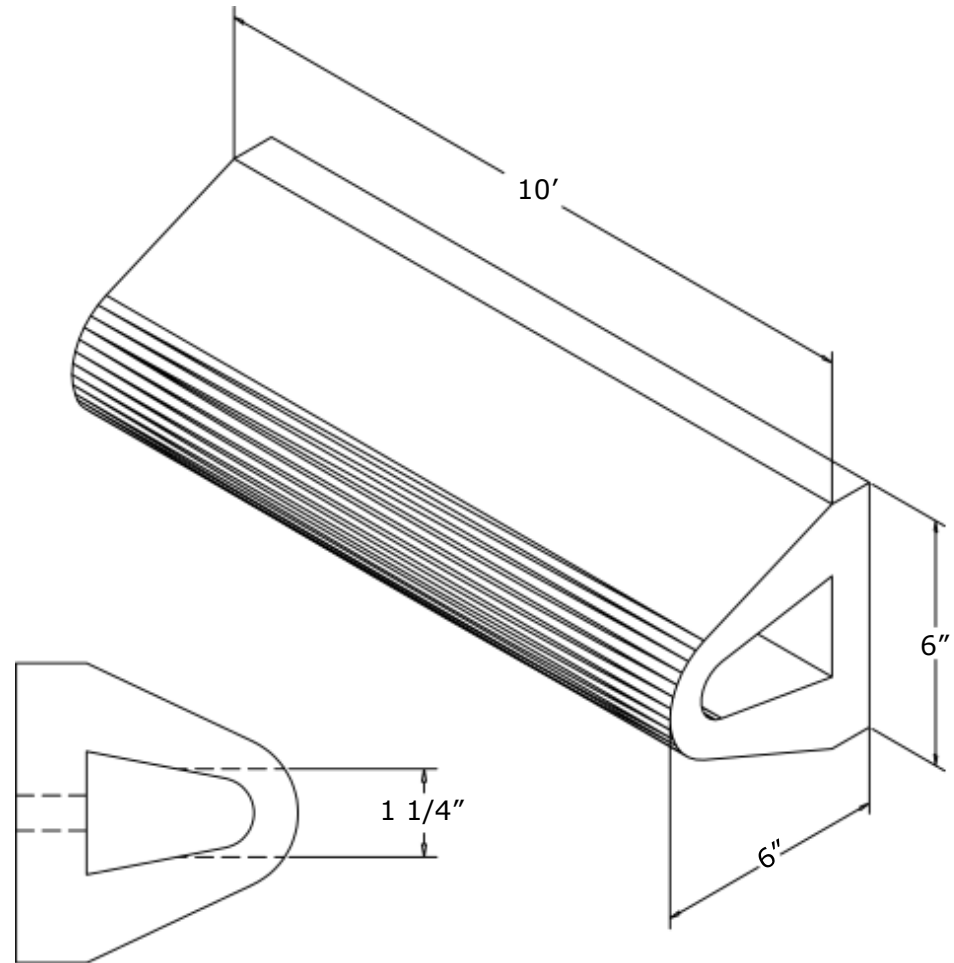
Length: Up to 10'

Height: 6"

Weight: 10 lbs per linear foot

***Mounting holes optional**

****Please note weights are calculated and may vary +/- 1/4 lb.**



***Optional mounting hole dimensions**