

**Porter Industrial Supply**

**(800) 772-6675**

**Model: B610-111**

**Product Type: Laminated Dock Bumper**

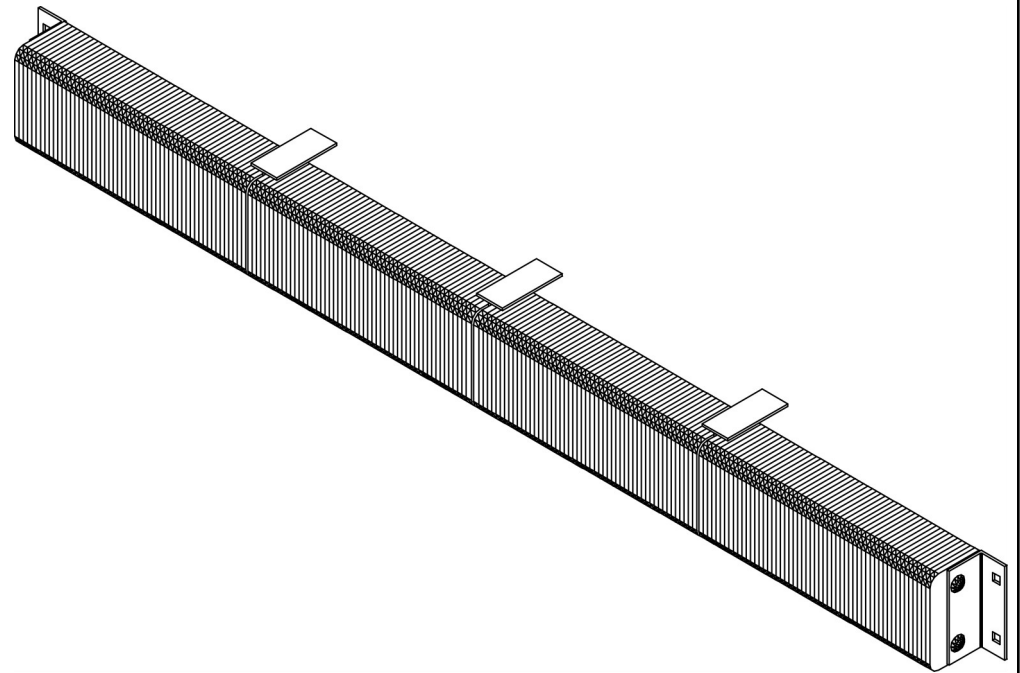
**Size**

- Projection: 6"
- Height: 10"

**Length:**

- Overall: 113"
- Anchor Hole: 111"
- Rubber: 107"
- Angle Size: 1/4" x 3" x 4" x 9 1/2"

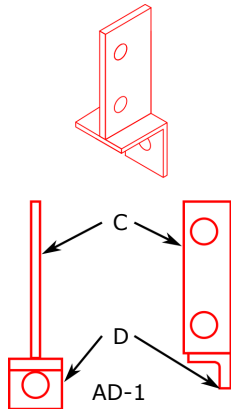
**All measurements are +/- 1/8"**



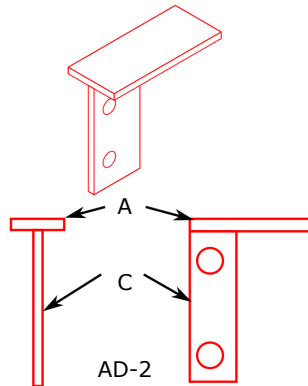
**Porter Industrial Supply**

**(800) 772-6675**

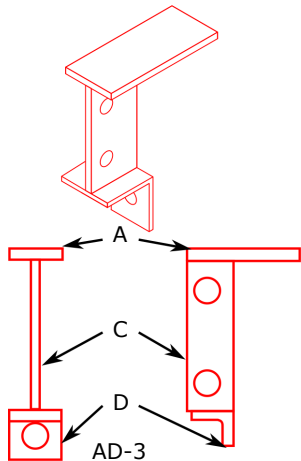
**Model: B910-36**



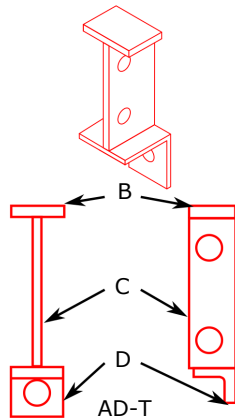
For anchorage to lower dock face



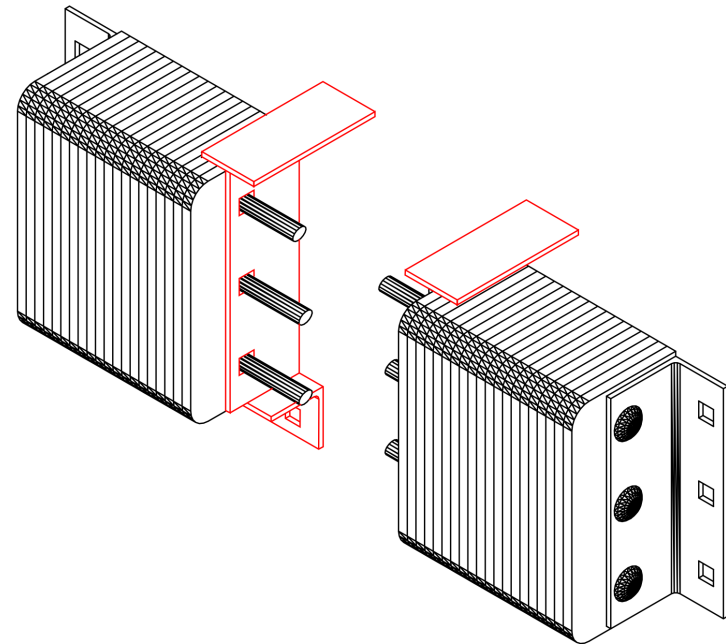
For anchorage to dock floor



For anchorage to dock floor and face



For anchorage to curb angle and dock face



**Plate Dimensions**

A: 1/4" x 3" x 7"

B: 1/4" x 3" x 3"

C: 1/4" x 3" x 10"

D: 1/4" x 2 1/2" x 3"