

Porter Industrial Supply

(800) 772-6675

Model: B4506-87

Product Type: Laminated Dock Bumper

Size

-Projection: 4 1/2"

-Height: 6"

Length:

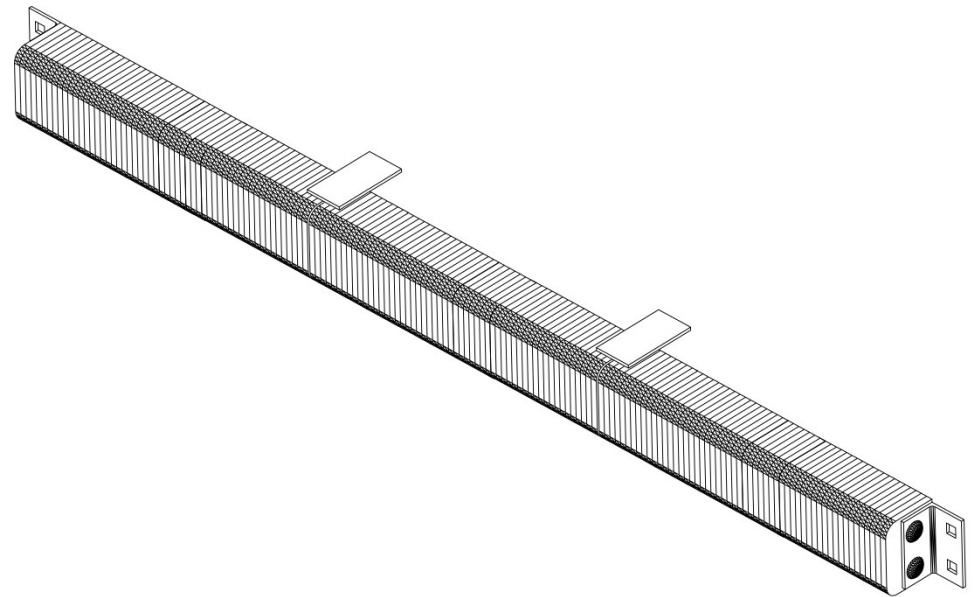
-Overall: 89"

-Anchor Hole: 87"

-Rubber: 83"

-Angle Size: 1/4" x 3" x 3" x 5 1/2"

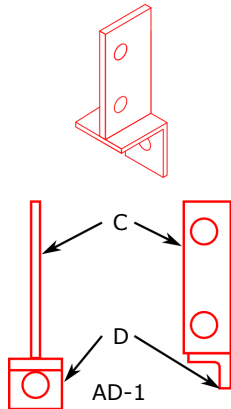
All measurements are +/- 1/8"



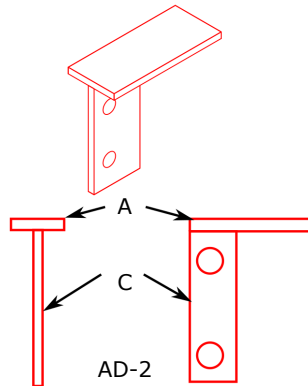
Porter Industrial Supply

(800) 772-6675

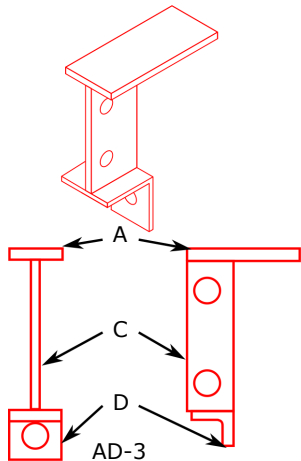
Model: B910-36



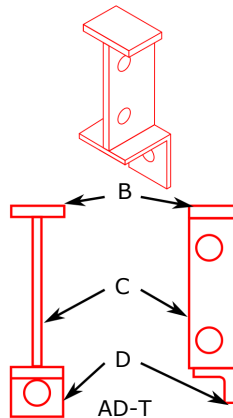
For anchorage to lower dock face



For anchorage to dock floor



For anchorage to dock floor and face



For anchorage to curb angle and dock face

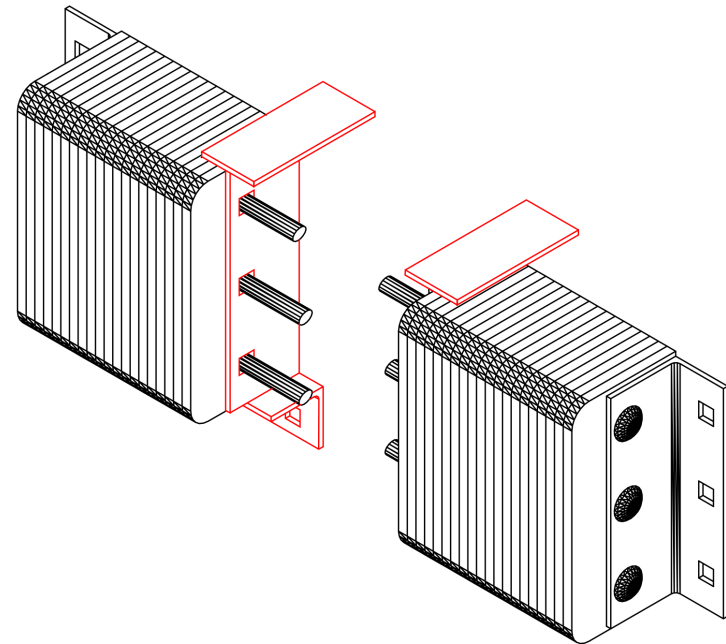


Plate Dimensions

A: 1/4" x 3" x 7"

B: 1/4" x 3" x 3"

C: 1/4" x 3" x 10"

D: 1/4" x 2 1/2" x 3"